

# Rotary Potentiometer

## P120 Series



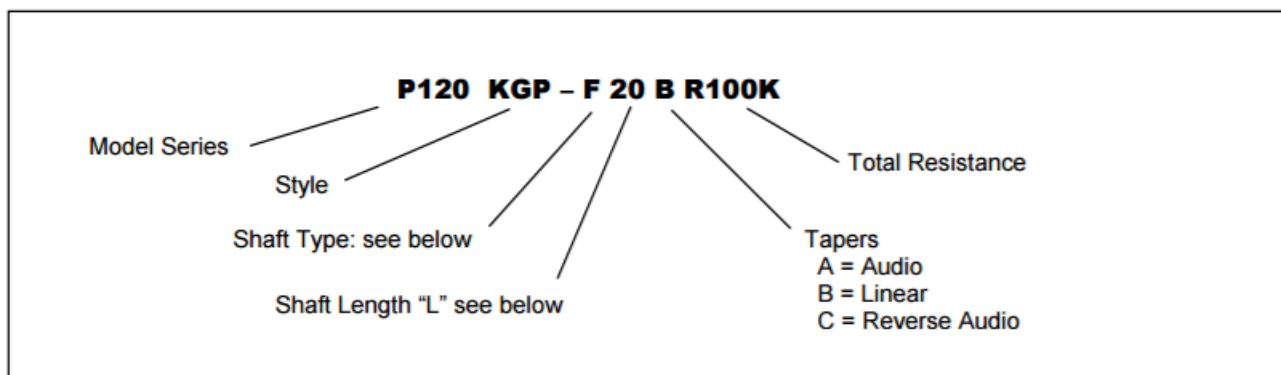
### Features:

- 12 mm
- Conductive plastic element
- Single/dual unit
- 100,000 cycle life
- Insulated shaft
- RoHS compliant



### Model Styles

Side Adjust, PCB pins, Single unit	P120K
Top Adjust, PCB pins, Single unit	P120PK
Top Adjust, PCB pins, Dual unit	P120KGP
Side Adjust, PCB pins, Dual unit	P120KGE



### General Note

TT Electronics reserves the right to make changes in product specification without notice or liability. All information is subject to TT Electronics' own data and is considered accurate at time of going to print.

TT Electronics | BI Technologies  
4200 Bonita Place, Fullerton, CA 92835-1053 | Ph: +1 714 447 2300  
www.ttelectronics.com | sensors@ttelectronics.com

# Rotary Potentiometer

## P120 Series



### Electrical Specifications

Resistance Range, Ohms	1K- 1M
Standard Resistance Tolerance	± 20%
Residual Resistance	20 ohms max.
Input Voltage, maximum	50 Vac max.
Power rating, Watts	0.05w
Dielectric Strength	300Vac, 1 minute
Insulation Resistance, Minimum	100M ohms at 250Vdc
Sliding Noise	100mV max.
Gang Error ( Multi-ganged )	-40dB – 0dB, ±3dB
Actual Electrical Travel, Nominal	260°

### Mechanical Specifications

Total Mechanical Travel	300°± 10°
Static Stop Strength	50 oz-in
Rotational Torque	0.5 to 1.25 oz-in

### Environmental Specifications

Operating Temperature Range	-40°C to +85°C
Rotational Life	100,000 cycles

#### General Note

TT Electronics reserves the right to make changes in product specification without notice or liability. All information is subject to TT Electronics' own data and is considered accurate at time of going to print.

TT Electronics | BI Technologies  
4200 Bonita Place, Fullerton, CA 92835-1053 | Ph: +1 714 447 2300  
www.ttelectronics.com | sensors@ttelectronics.com

### Shaft Types

	F-TYPE								Y-TYPE								T-TYPE					
TOP ADJUST	L	15	17	20	25	30	35	40	L	15	20	25	30	35	40	L	15	20	25	30	35	
	T	5	7	7	12	12	12	12	T	5	8	12	12	12	12	T	5	7	7	12	12	
SIDE ADJUST	L	10	15	20	25	30	L	10	15	20	25	30	L	10	15	20	25	30				
	T	5	8	12	12	12	T	5	8	12	12	12	T	5	7	7	12	12				

### Standard Resistance Values, Ohms

1K    2K    5K    10K    20K    50K    100K    200K    500K    1MEG

### CIRCUIT DIAGRAM

Unless otherwise specified



#### General Note

TT Electronics reserves the right to make changes in product specification without notice or liability. All information is subject to TT Electronics' own data and is considered accurate at time of going to print.

TT Electronics | BI Technologies  
 4200 Bonita Place, Fullerton, CA 92835-1053 | Ph: +1 714 447 2300  
[www.ttelectronics.com](http://www.ttelectronics.com) | [sensors@ttelectronics.com](mailto:sensors@ttelectronics.com)

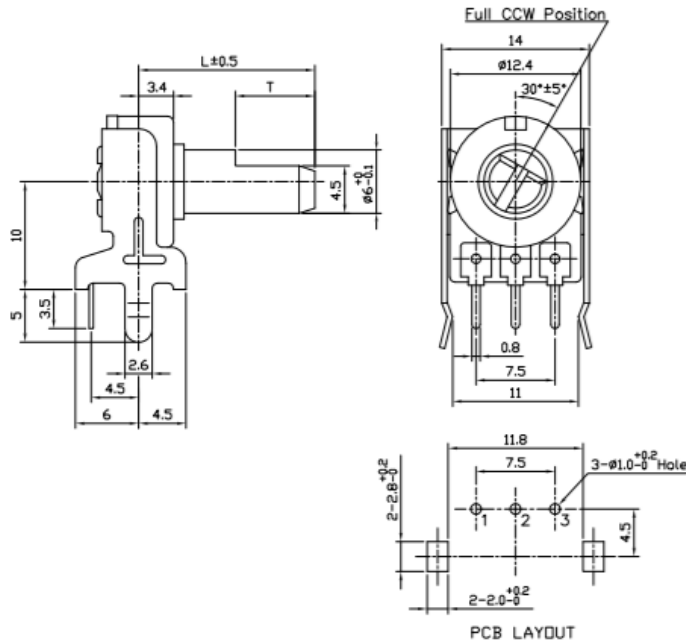
# Rotary Potentiometer

## P120 Series

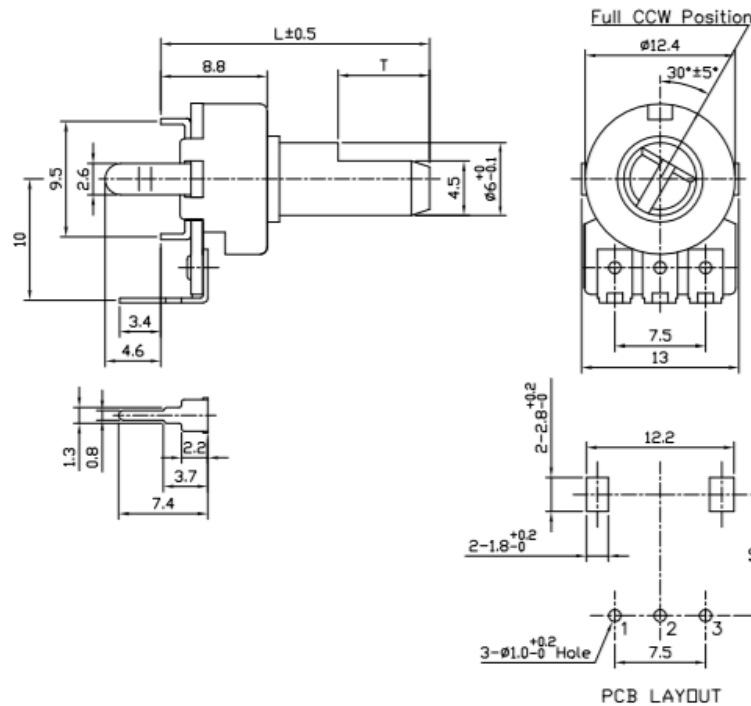


### Outline Drawings

**Model P120K (Side Adjust, PCB pins, Single unit)**



**Model P120PK (Top Adjust, PCB pins, Single unit)**



**General Note**

TT Electronics reserves the right to make changes in product specification without notice or liability. All information is subject to TT Electronics' own data and is considered accurate at time of going to print.

TT Electronics | BI Technologies  
4200 Bonita Place, Fullerton, CA 92835-1053 | Ph: +1 714 447 2300  
www.ttelectronics.com | sensors@ttelectronics.com

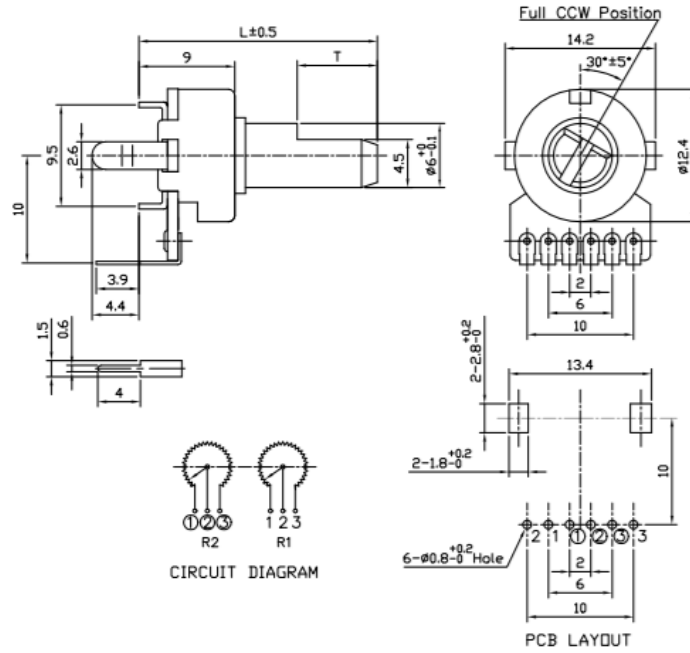
# Rotary Potentiometer

## P120 Series

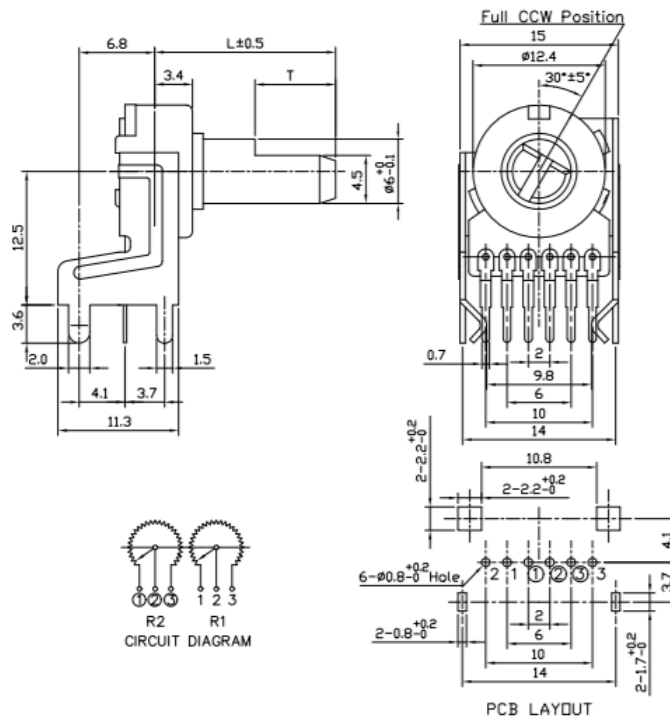


### Outline Drawings

**Model P120KGP (Top Adjust, PCB pins, Dual unit)**



**Model P120KGE (Side Adjust, PCB pins, Dual unit)**



General Note  
 TT Electronics reserves the right to make changes in product specification without notice or liability. All information is subject to TT Electronics' own data and is considered accurate at time of going to print.

TT Electronics | BI Technologies  
 4200 Bonita Place, Fullerton, CA 92835-1053 | Ph: +1 714 447 2300  
 www.ttelectronics.com | sensors@ttelectronics.com

# Mouser Electronics

Authorized Distributor

Click to View Pricing, Inventory, Delivery & Lifecycle Information:

## TT Electronics:

[P120K-Y20BR50K](#) [P120KGP-Y35BR50K](#) [P120K-Y20AR10K](#) [P120PK-F17BR5K](#) [P120PK-Y20BR20K](#) [P120KGP-T35BR50K](#) [P120KGE-Y30BR50K](#) [P120KGE-Y35BR50K](#) [P120PK-F20BR5K](#) [P120K-F20BR5K](#) [P120KGP-F20BR100K](#) [P120KGP-F15BR10K](#) [P120KGP-F20BR10K](#) [P120K-Y20B100K](#) [P120PK-Y25BR10K](#) [P120KGP-Y15BR100K](#) [P120PK-Y20AR100K](#) [P120K-F20AR100K](#) [P120PK-F20AR2K](#) [P120PK-Y20AR50K](#) [P120KGE-F17AR50K](#) [P120PK-F40BR10K](#) [P120K-Y25AR50K](#) [P120KGP-F15B10K](#) [P120PK-Y20BR50K](#) [P120K-F25BR100K](#) [P120PK-F25BR100K](#) [P120KGE-F15AR50K](#) [P120KGP-Y15AR100K](#) [P120K-Y25BR10K](#) [P120PK-Y20BR100K](#) [P120K-F15AR10K](#) [P120PK-F04BR10K](#) [P120KGE-Y20BR50K](#) [P120KGP-Y15BR500K](#) [P120PK-Y25BR5K](#) [P120KGPT25BR100K](#)