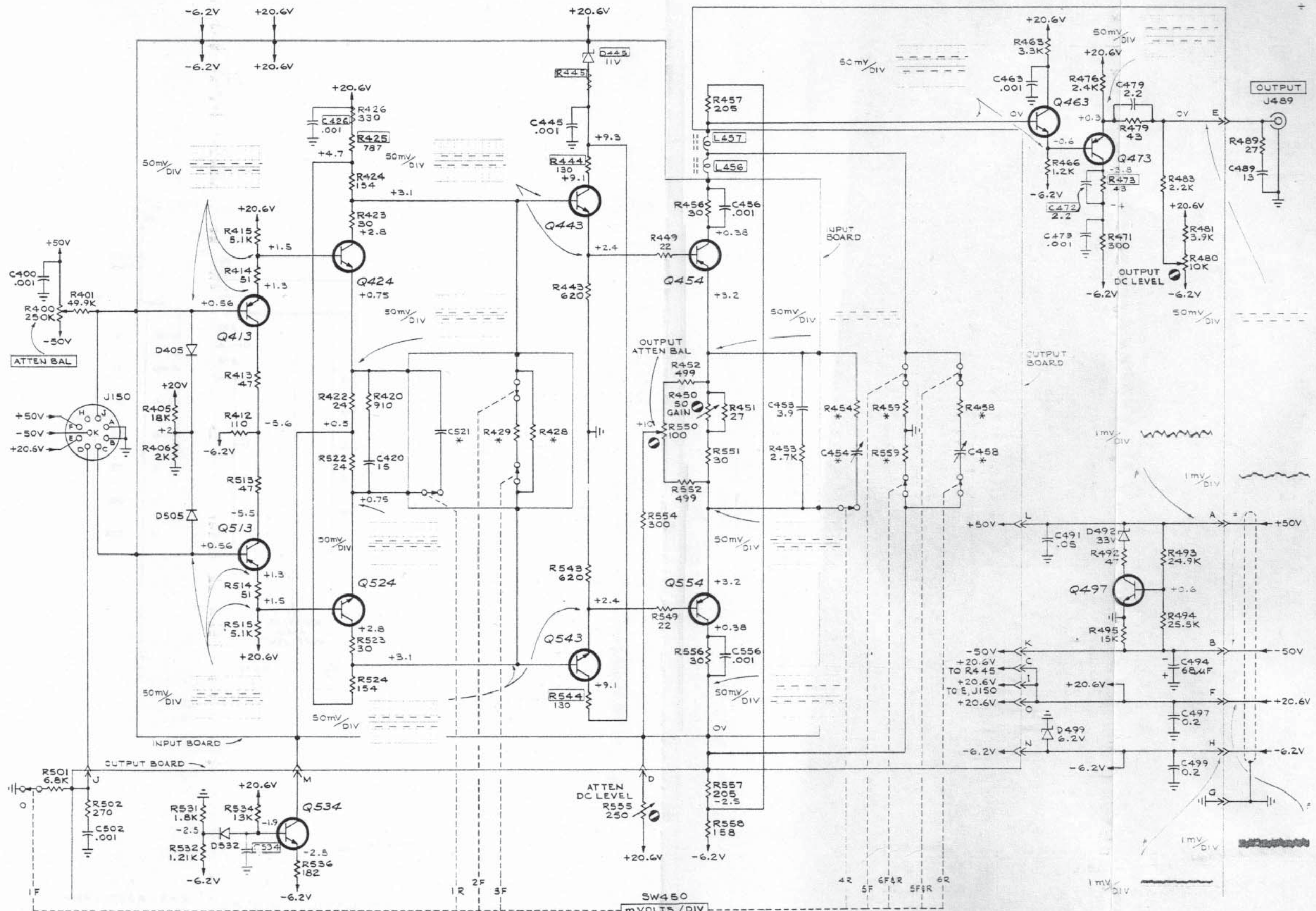


TYPE P6046

DIFFERENTIAL PROBE

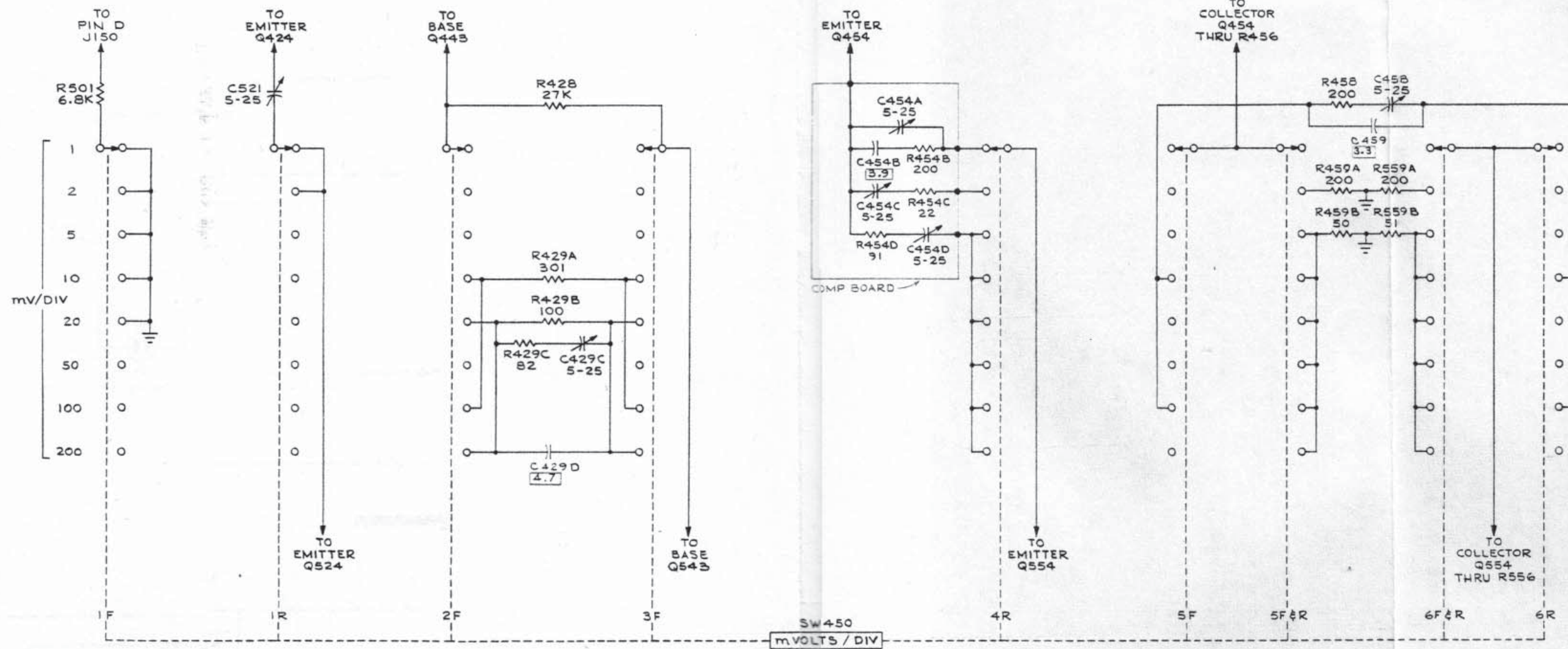


VOLTAGES AND WAVEFORMS APPLY UNDER CONDITIONS GIVEN AT THE LEFT OF THE PROBE DIAGRAM

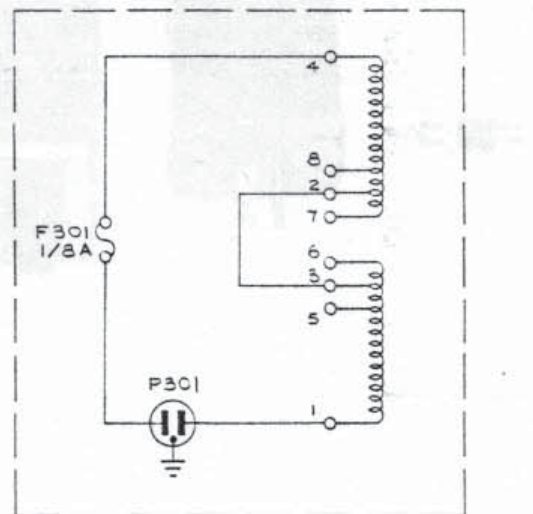
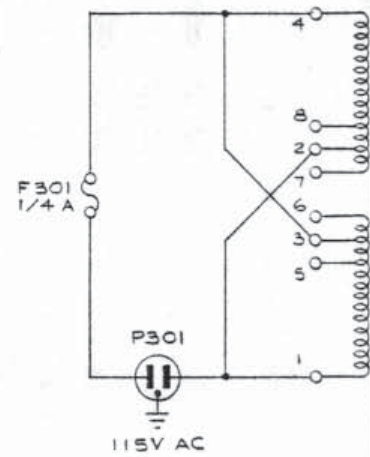
* NO SIGNAL INTO P6046 PROBE; LINE TRIGGERED 5ms/DIV HORIZONTAL SWEEP

SEE PARTS LIST FOR EARLIER VALUES AND SERIAL NUMBER RANGES OF PARTS MARKED WITH BLUE OUTLINE

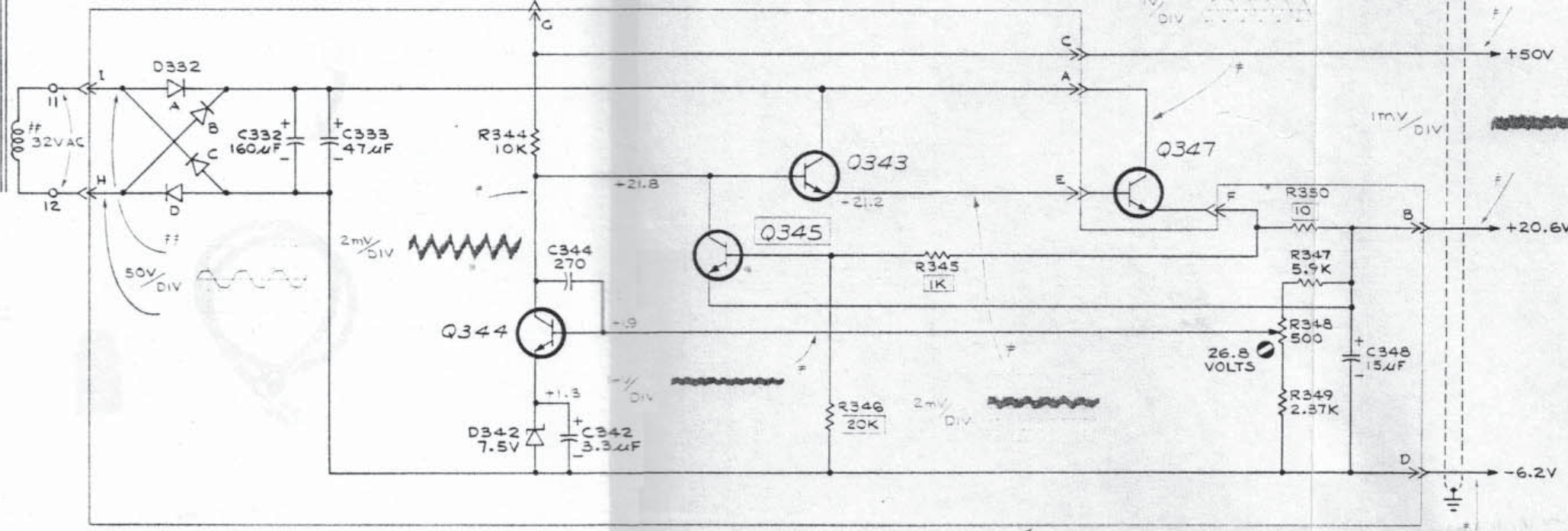
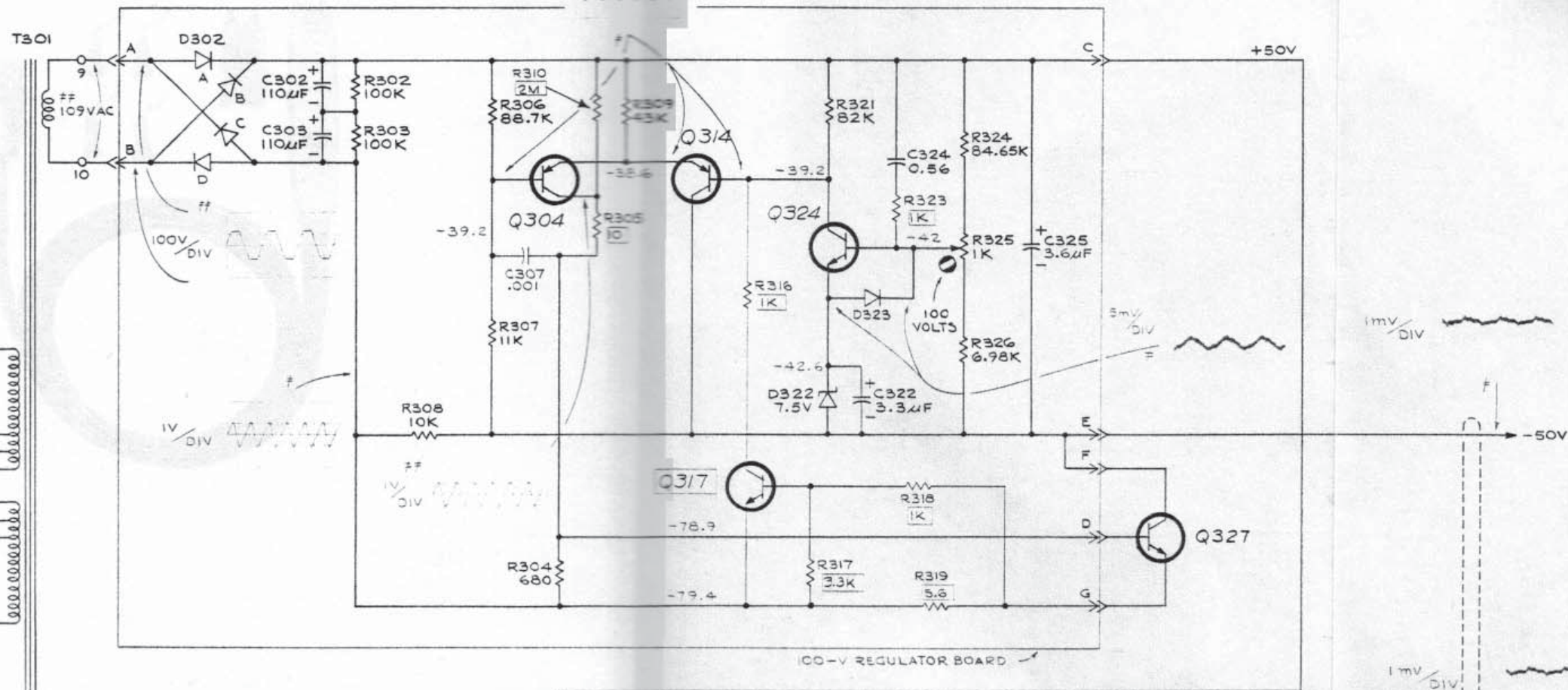
SEE PART LIST FOR SEMICONDUCTOR TYPES



SEE PARTS LIST FOR EARLIER
VALUES AND SERIAL NUMBER
RANGES OF PARTS MARKED
WITH BLUE OUTLINE.



ALTERNATE T301 PRIMARY WIRING DIAGRAM — 230V AC OPERATION



VOLTAGES AND WAVEFORMS APPLY UNDER CONDITIONS GIVEN AT THE LEFT OF THE PROBE DIAGRAM

* NO SIGNAL INTO P6046 PROBE; LINE TRIGGERED 5ms/DIV HORIZ SWEEP
 ** DIFFERENTIAL MEASUREMENT BETWEEN POINTS INDICATED

SEE PARTS LIST FOR SEMICONDUCTOR TYPES

SEE PARTS LIST FOR EARLIER VALUES AND SERIAL NUMBER RANGES OF PARTS OUTLINED OR DEPICTED IN BLUE.