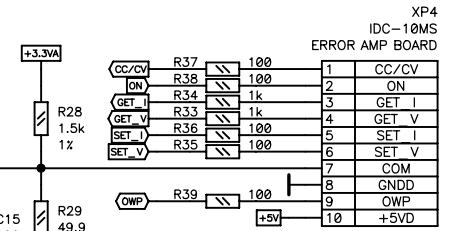
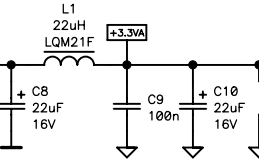
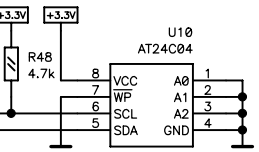
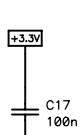
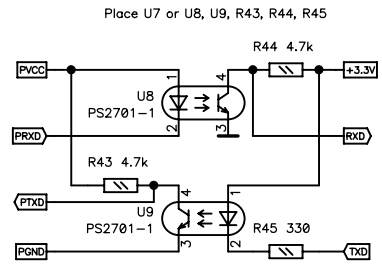
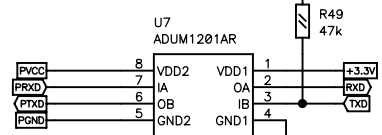
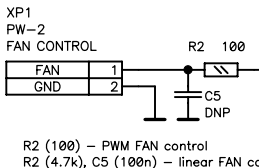
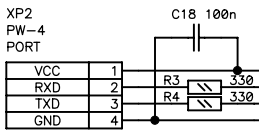
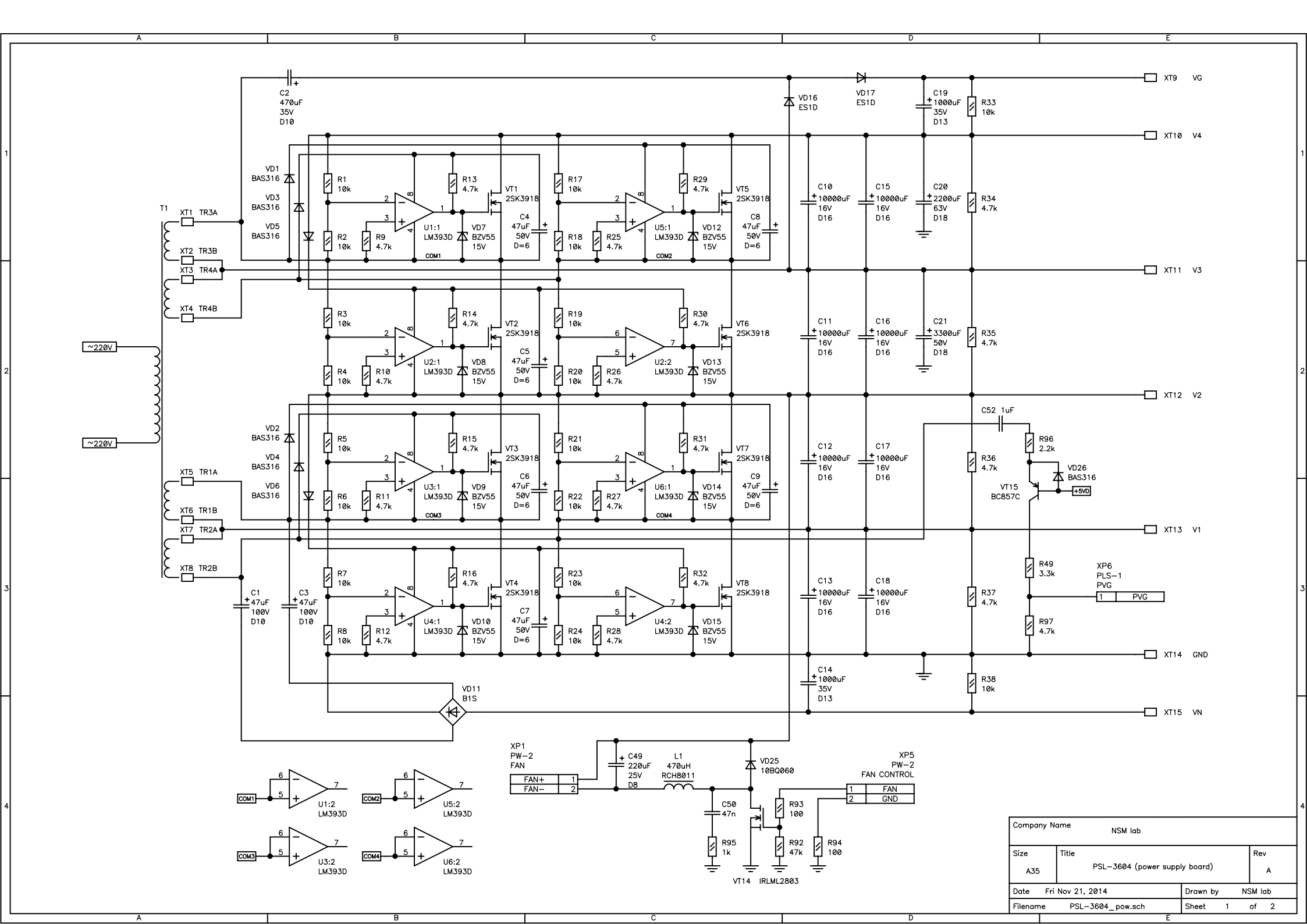


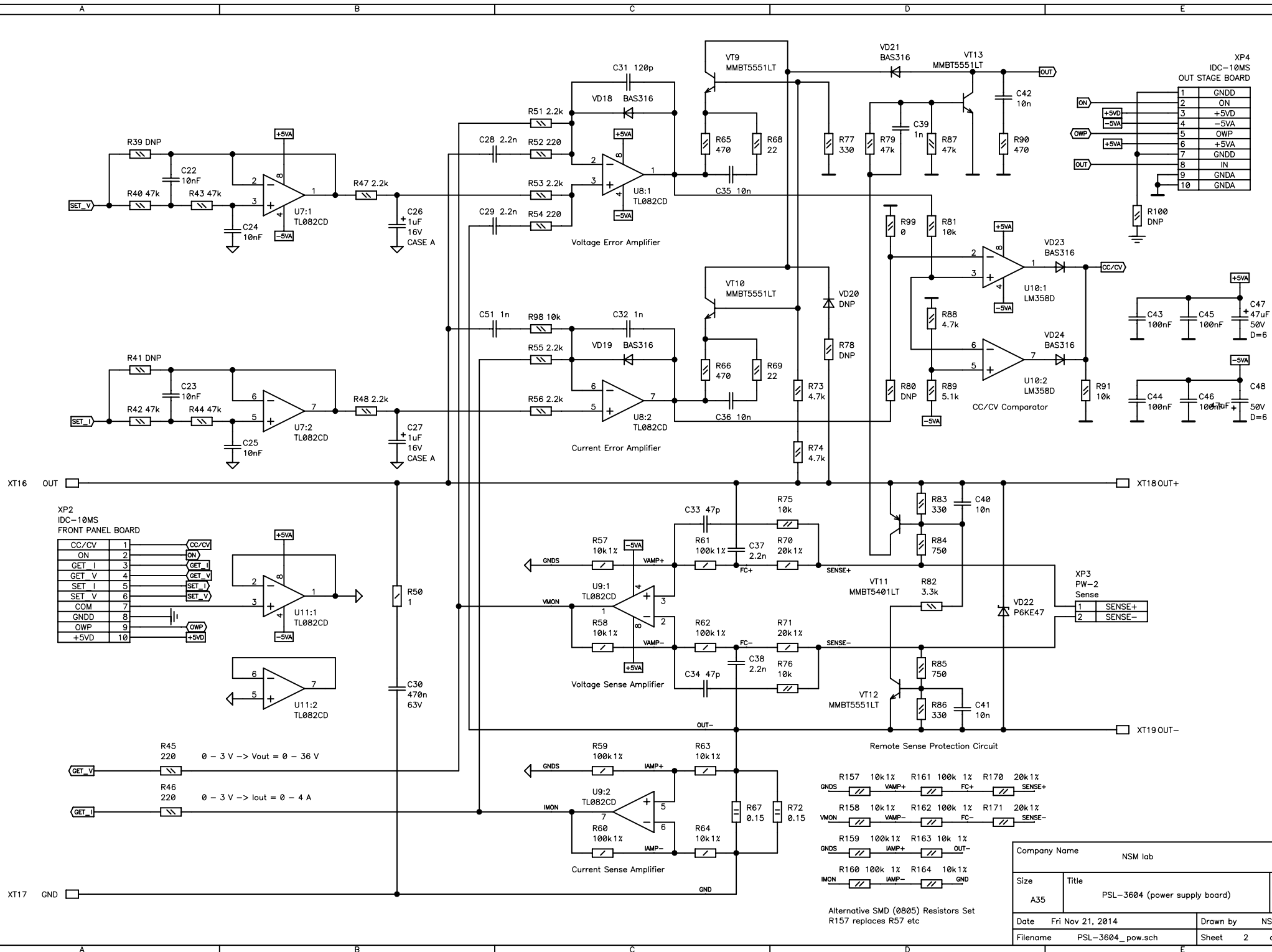
R1 (4.7k) - DS18B20 temp. sensor
 C16 (100n) - LM19 temp. sensor



| | | | |
|--------------|------------------------------|----------|---------|
| Company Name | | | NSM lab |
| Size | Title | Rev | |
| A35 | PSL-3604 (front panel board) | A | |
| Date | Fri Nov 21, 2014 | Drawn by | NSM lab |
| Filename | PSL-3604_pan.sch | Sheet | 1 of 1 |



| | | | |
|--------------|-------------------------------|----------|---------|
| Company Name | | NSM lab | |
| Size | Title | Rev | |
| A35 | PSL-3604 (power supply board) | A | |
| Date | Fri Nov 21, 2014 | Drawn by | NSM lab |
| Filename | PSL-3604_pow.sch | Sheet | 1 of 2 |



XP2 IDC-10MS FRONT PANEL BOARD

| | | |
|-------|----|-------|
| CC/CV | 1 | CC/CV |
| ON | 2 | ON |
| GET I | 3 | GET I |
| GET V | 4 | GET V |
| SET I | 5 | SET I |
| SET V | 6 | SET V |
| COM | 7 | |
| GNDD | 8 | |
| OWP | 9 | OWP |
| +5VD | 10 | +5VD |

XP4 IDC-10MS OUT STAGE BOARD

| | |
|----|------|
| 1 | GNDD |
| 2 | ON |
| 3 | +5VD |
| 4 | -5VA |
| 5 | OWP |
| 6 | +5VA |
| 7 | GNDD |
| 8 | IN |
| 9 | GNDA |
| 10 | GNDA |

XP3 PW-2 Sense

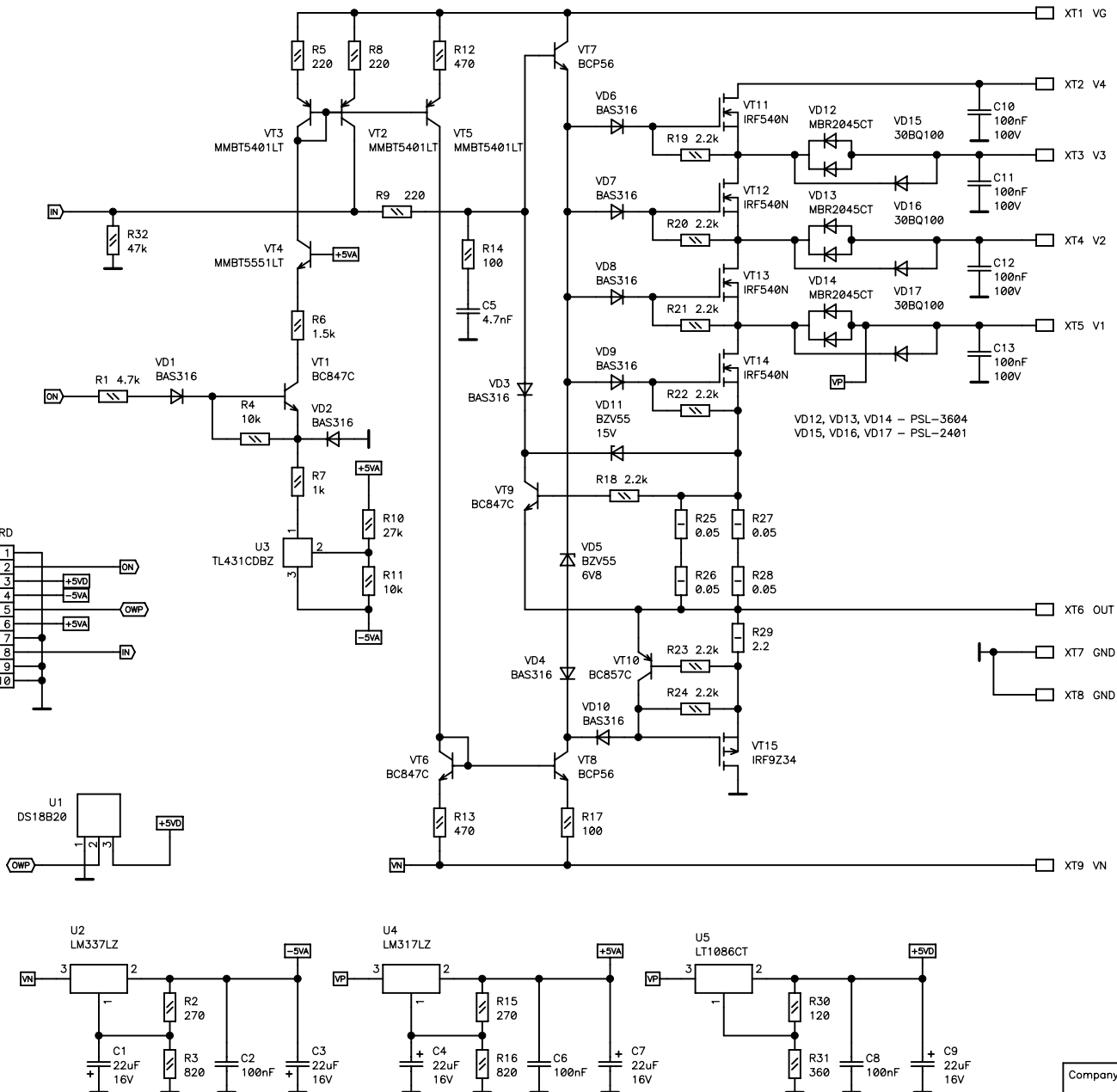
| | |
|---|--------|
| 1 | SENSE+ |
| 2 | SENSE- |

| | | | | | |
|--------------|-------------------------------|----------|---------|--------|--|
| Company Name | | | NSM lab | | |
| Size | Title | Rev | | | |
| A35 | PSL-3604 (power supply board) | A | | | |
| Date | Fri Nov 21, 2014 | Drawn by | NSM lab | | |
| Filename | PSL-3604_pow.sch | | Sheet | 2 of 2 | |

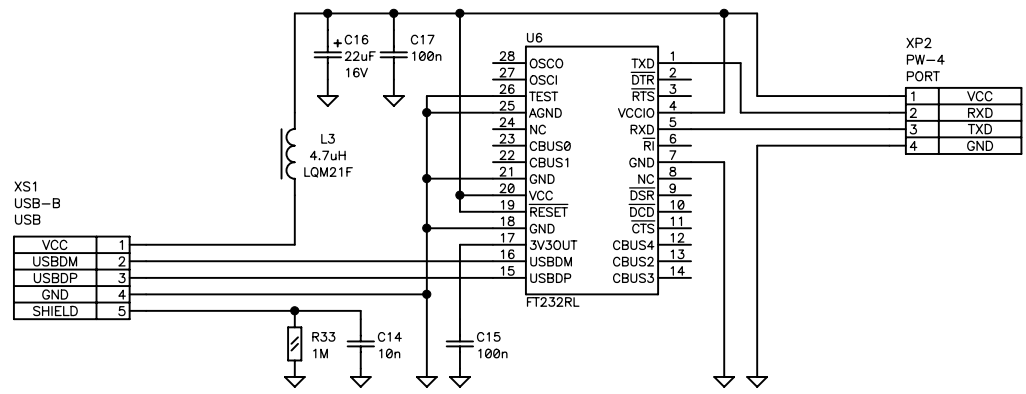
Alternative SMD (0805) Resistors Set
R157 replaces R57 etc

XP1
IDC-10MS
OUT STAGE BOARD

| | | |
|-------|----|------|
| GNDD | 1 | |
| ON | 2 | ON |
| +5VD | 3 | +5VD |
| -5VA | 4 | -5VA |
| OWP | 5 | OWP |
| +5VA | 6 | +5VA |
| GNDD | 7 | |
| IN | 8 | IN |
| GND A | 9 | |
| GND A | 10 | |



| | | | |
|--------------|----------------------------|----------|---------|
| Company Name | | NSM lab | |
| Size | Title | Rev | |
| A35 | PSL-3604 (out stage board) | A | |
| Date | Thu Nov 20, 2014 | Drawn by | NSM lab |
| Filename | PSL-3604_out.sch | Sheet | 1 of 2 |



| | | | |
|--------------|----------------------------|----------|---------|
| Company Name | | NSM lab | |
| Size | Title | Rev | |
| A35 | PSL-3604 (out stage board) | A | |
| Date | Thu Nov 20, 2014 | Drawn by | NSM lab |
| Filename | PSL-3604_out.sch | Sheet | 2 of 2 |